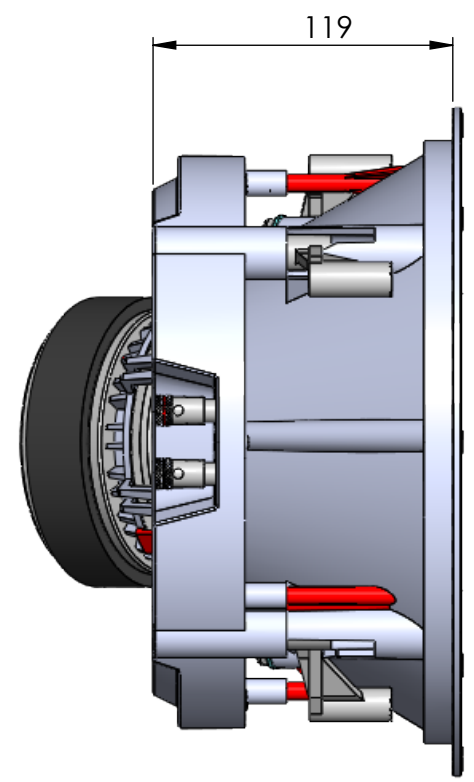
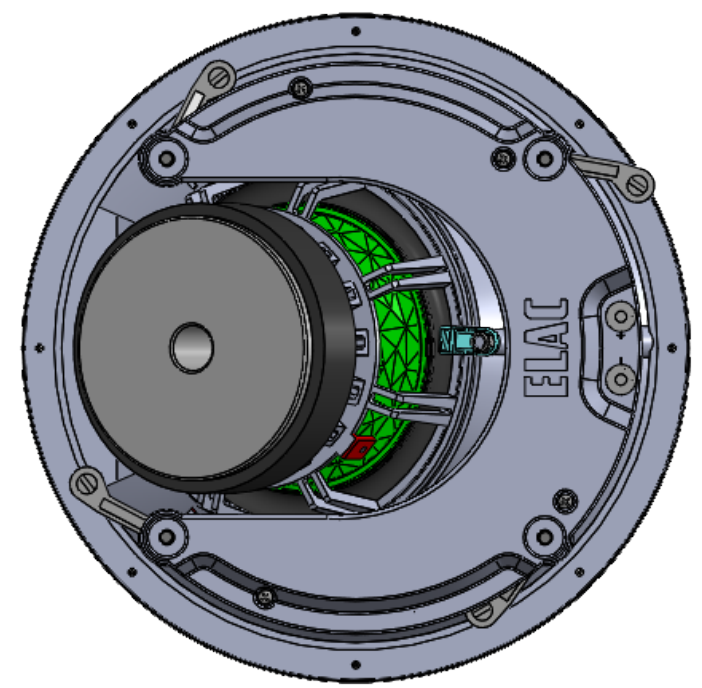


SECTION A-A
SCALE 1 : 3



ELAC RESEARCH
This drawing is issued in the strictest confidence and shall not be used for, or as the basis of the manufacture of any product in whole or in part, without the express written consent of ELAC Research Inc., © 2021

Description: IC-VJT63-W 6		Designed By: PaulW	Date: Sep 28, 2021
Material:		Drawn By:	Date:
Finish:		Approved By:	Date:
Dims: mm Scale: 1:5		DWG No.	REV No. 0
DO NOT SCALE DRAWING		Part No. IC-VJT63-W 6	
Size: A	Sheet: 1 OF 1		

THIS PART TOLERANCE GRADE:									
DIMENSIONAL TOLERANCE UNLESS OTHERWISE SPECIFIED									
GRADE	DIM	4 2	5 2	13 2	37 2	111 2	331 2	1000 2	ANGLE
1	0.10	0.15	0.20	0.30	0.45	0.70	1.0	1.0	1.0°
2	0.15	0.20	0.30	0.45	0.70	1.0	1.5	1.5	1.0°
3	0.20	0.30	0.45	0.70	1.0	1.5	2.0	2.0	2.0°
4	0.30	0.45	0.70	1.0	1.5	2.0	3.0	3.0	2.0°
5	0.45	0.70	1.0	1.5	2.0	3.0	4.0	4.0	4.0°

REV.	DESCRIPTION	DATE	REV. BY